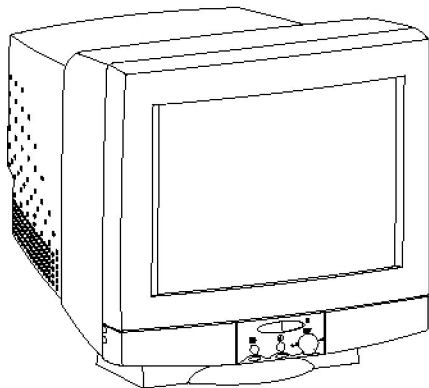


Service Manual

Nokia Display Products Oy
P.O.Box 14
FIN-24101 Salo, Finland

Chassis 447R

17" High Resolution Colour Monitor 447PRO



Contents

Service
Monitor Dismantling
Part List
PCB Part List
PCB Layout pictures

<http://www.schema99.d2.cz/>
<http://www.schema99.fbi.cz/>
<http://web.telecom.cz/dadu/>

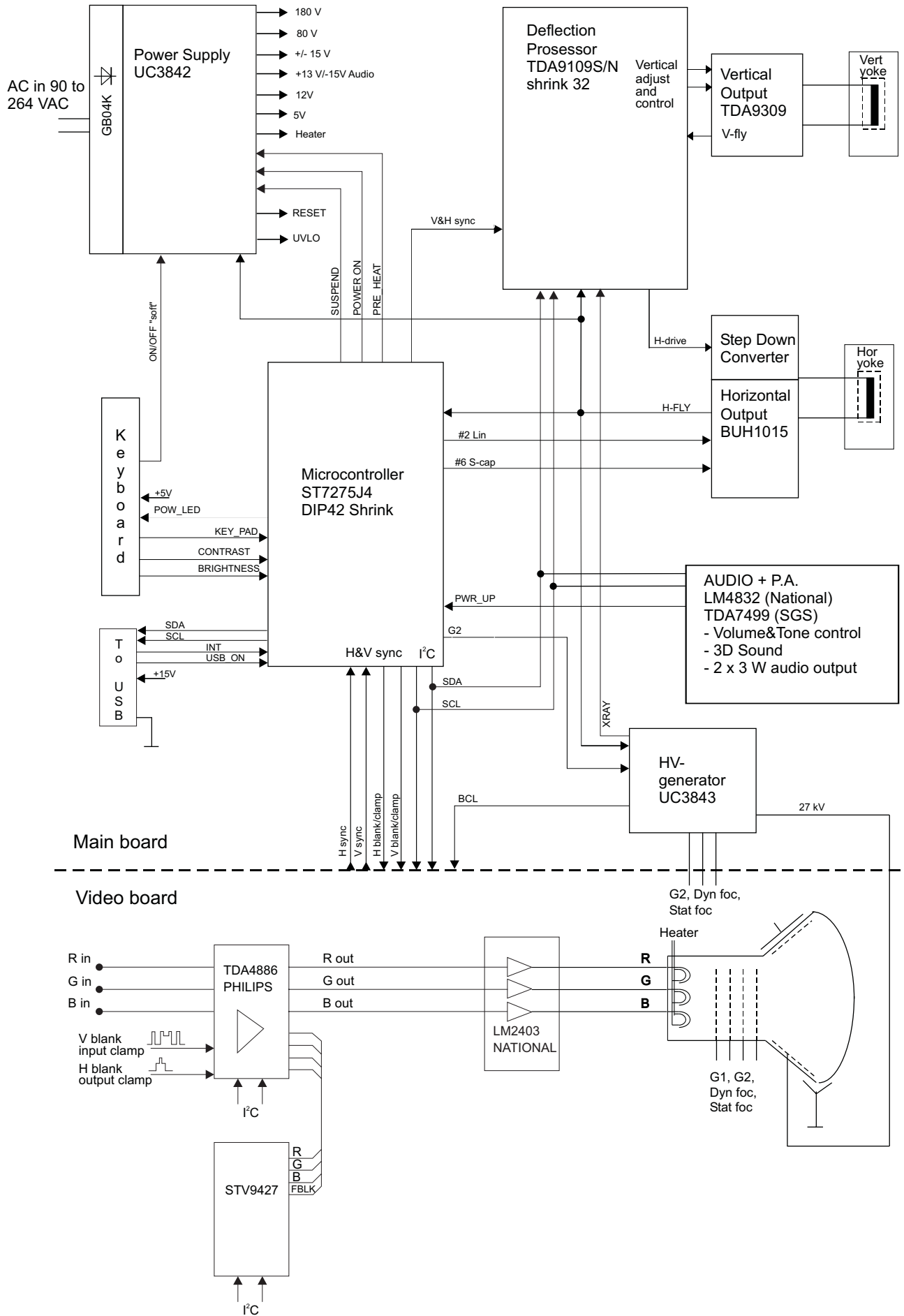
Level

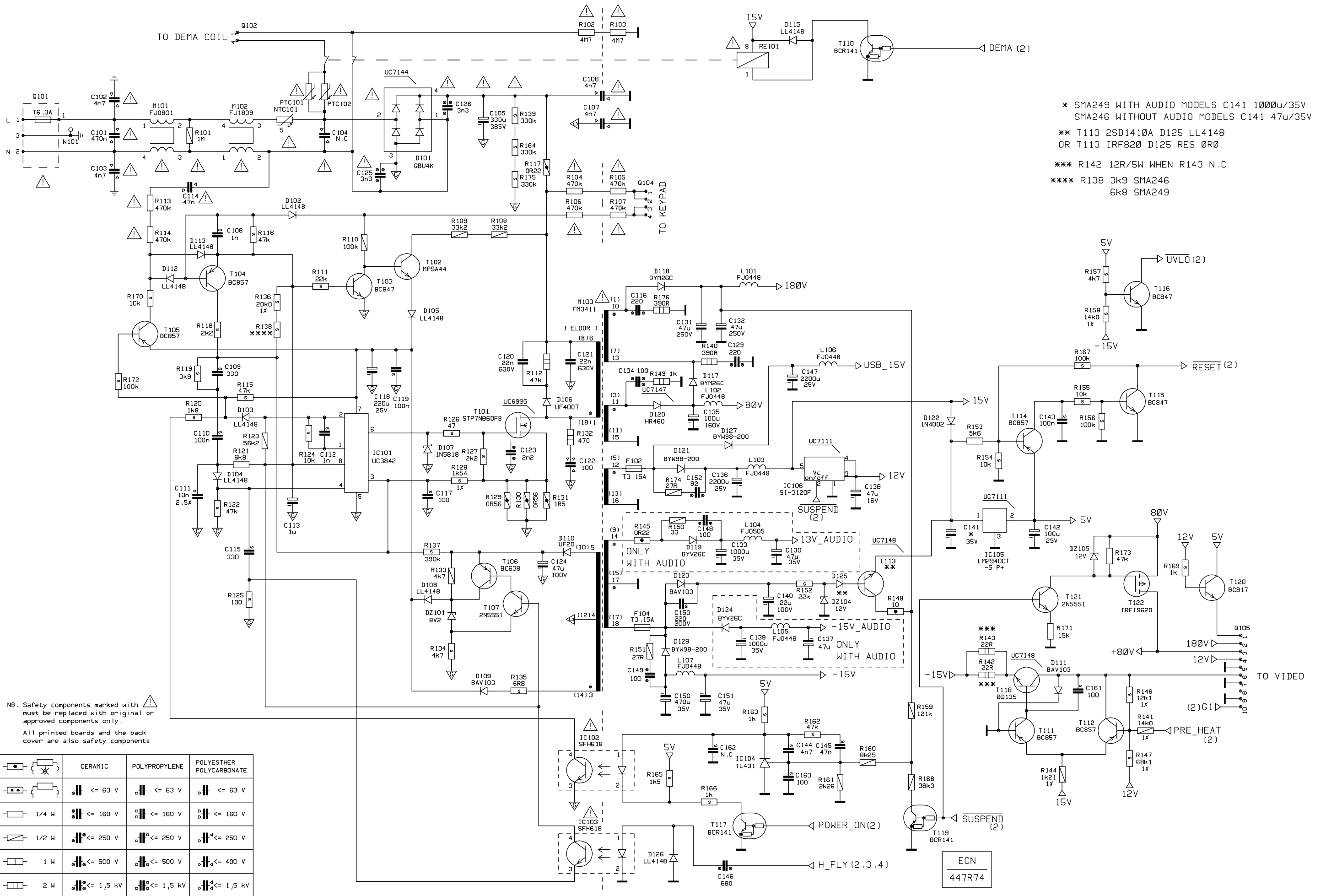
1

2

Main Board module	SMA249C	SMA249E
CRT module	SMH164C	SMH164C

BLOCK DIAGRAM



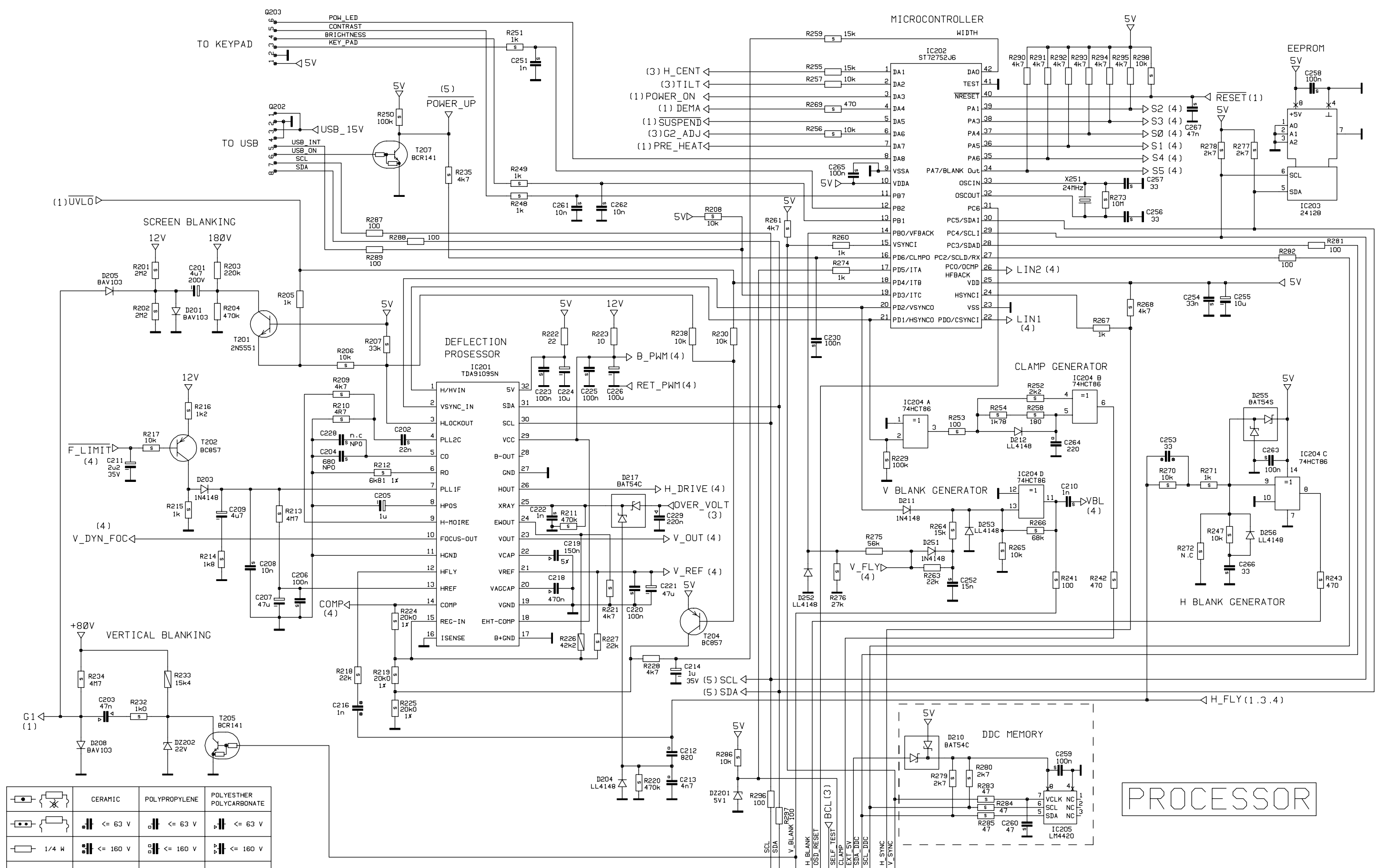


- * SMA249 WITH AUDIO MODELS C141 1000u/35V
SMA246 WITHOUT AUDIO MODELS C141 47u/35V
- ** T113 2SD1410A D125 LL4148
OR T113 IRF820 D125 RES 0R0
- *** R142 12R/5W WHEN R143 N.C
- **** R138 3k9 SMA246
6k8 SMA249

NB. Safety components marked with must be replaced with original or approved components only.
All printed boards and the back cover are also safety components

	CERAMIC	POLYPROPYLENE	POLYESTHER POLYCARBONATE
	$\leq 63\text{ V}$	$\leq 63\text{ V}$	$\leq 63\text{ V}$
	$\leq 160\text{ V}$	$\leq 160\text{ V}$	$\leq 160\text{ V}$
	$\leq 250\text{ V}$	$\leq 250\text{ V}$	$\leq 250\text{ V}$
	$\leq 500\text{ V}$	$\leq 500\text{ V}$	$\leq 400\text{ V}$
	$\leq 1,5\text{ kV}$	$\leq 1,5\text{ kV}$	$\leq 1,5\text{ kV}$

ECN
447R74

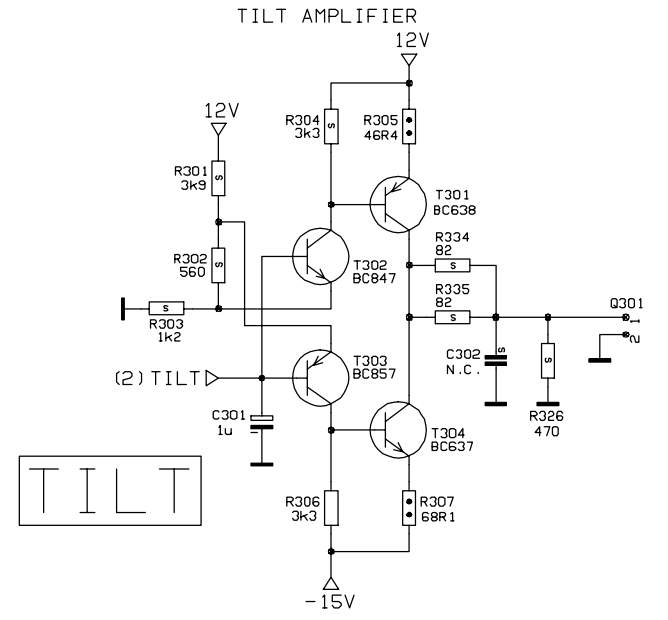
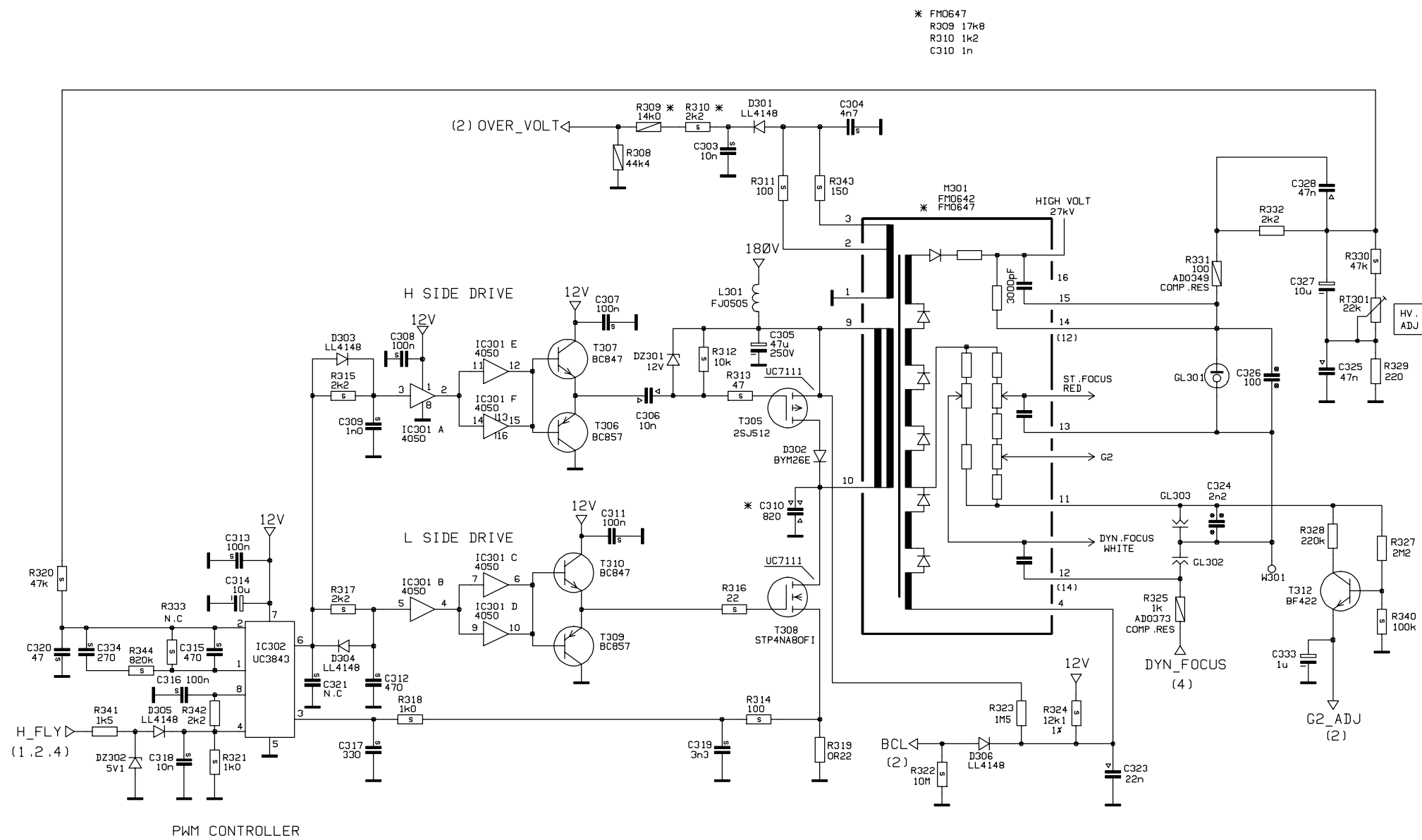


	CERAMIC	POLYPROPYLENE	POLYESTHER POLYCARBONATE
	≤ 63 V	≤ 63 V	≤ 63 V
	≤ 160 V	≤ 160 V	≤ 160 V
	≤ 250 V	≤ 250 V	≤ 400 V
	≤ 500 V	≤ 500 V	≤ 1,5 kV
	≤ 1,5 kV	≤ 1,5 kV	≤ 1,5 kV

DEFLECTION PROCESSOR

PROCESSOR

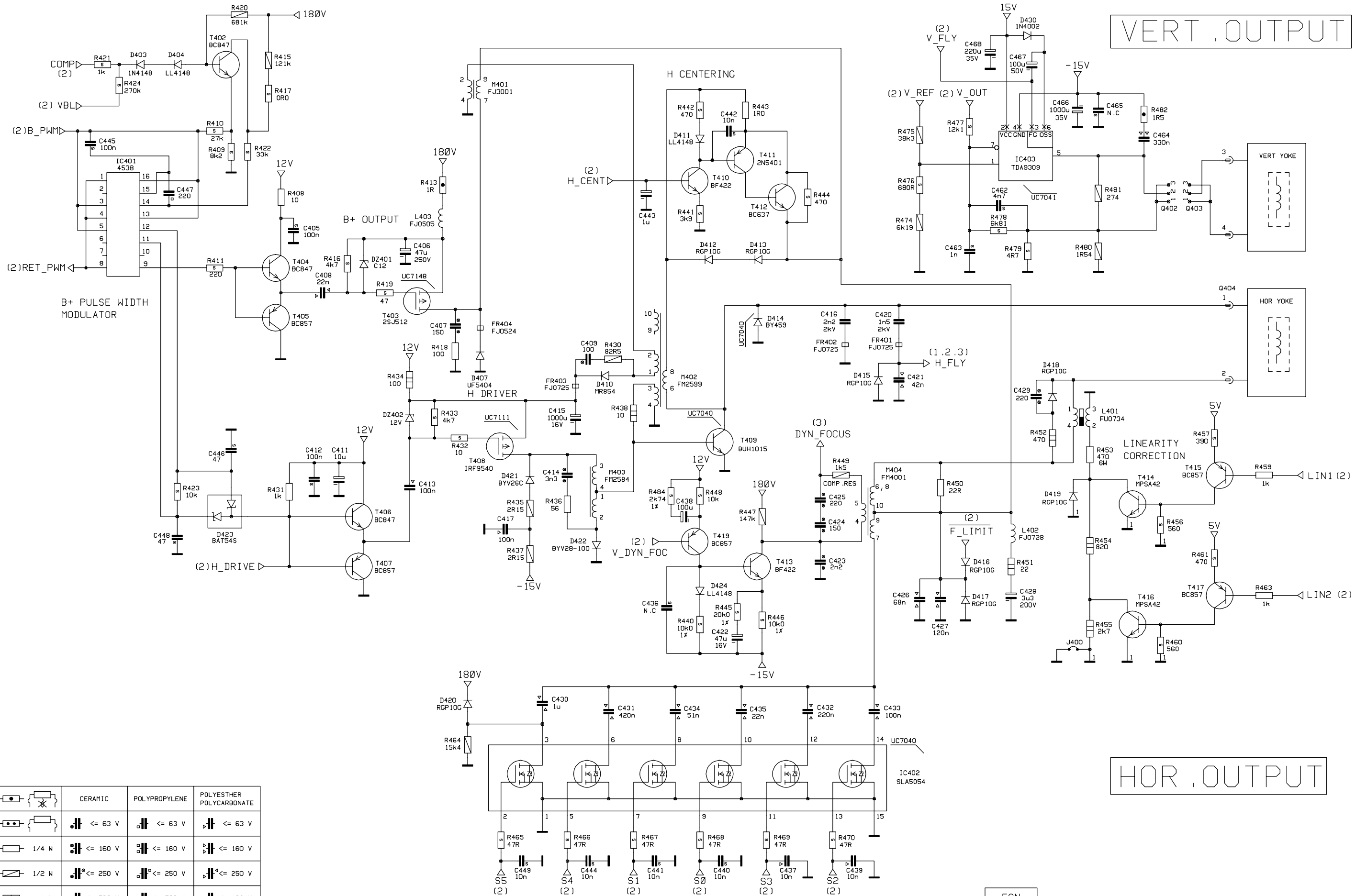
ECN
447R74



HV GENERATOR

	CERAMIC	POLYPROPYLENE	POLYESTHER POLYCARBONATE
	≤ 63 V	≤ 63 V	≤ 63 V
	1/4 W	≤ 160 V	≤ 160 V
	1/2 W	≤ 250 V	≤ 250 V
	1 W	≤ 500 V	≤ 400 V
	2 W	$\leq 1,5$ kV	$\leq 1,5$ kV

ECN
447R74



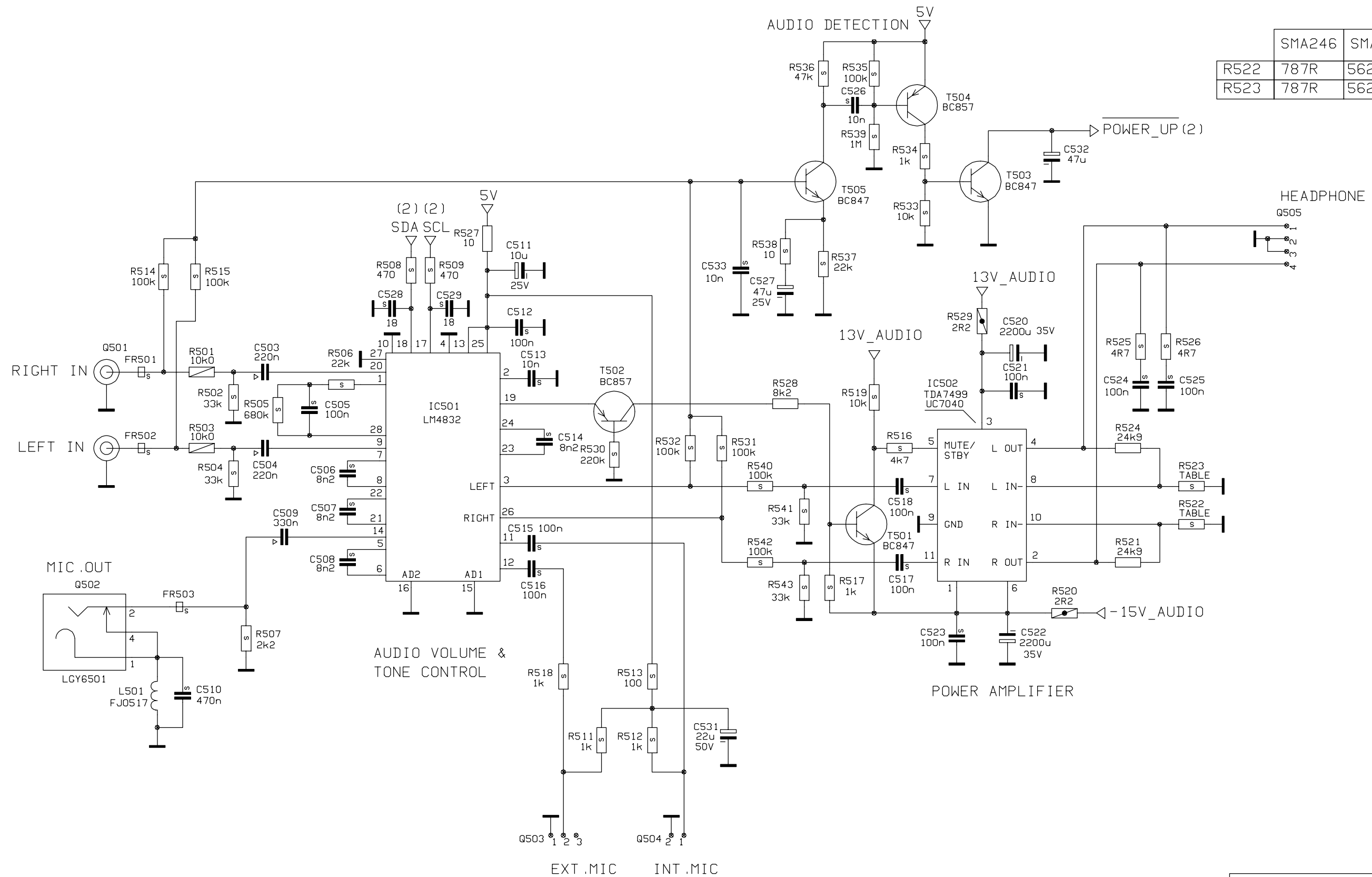
VERT. OUTPUT

HOR. OUTPUT

	CERAMIC	POLYPROPYLENE	POLYESTHER POLYCARBONATE
	$\leq 63 \text{ V}$	$\leq 63 \text{ V}$	$\leq 63 \text{ V}$
	$\leq 160 \text{ V}$	$\leq 160 \text{ V}$	$\leq 160 \text{ V}$
	$\leq 250 \text{ V}$	$\leq 250 \text{ V}$	$\leq 250 \text{ V}$
	$\leq 500 \text{ V}$	$\leq 500 \text{ V}$	$\leq 400 \text{ V}$
	$\leq 1,5 \text{ kV}$	$\leq 1,5 \text{ kV}$	$\leq 1,5 \text{ kV}$

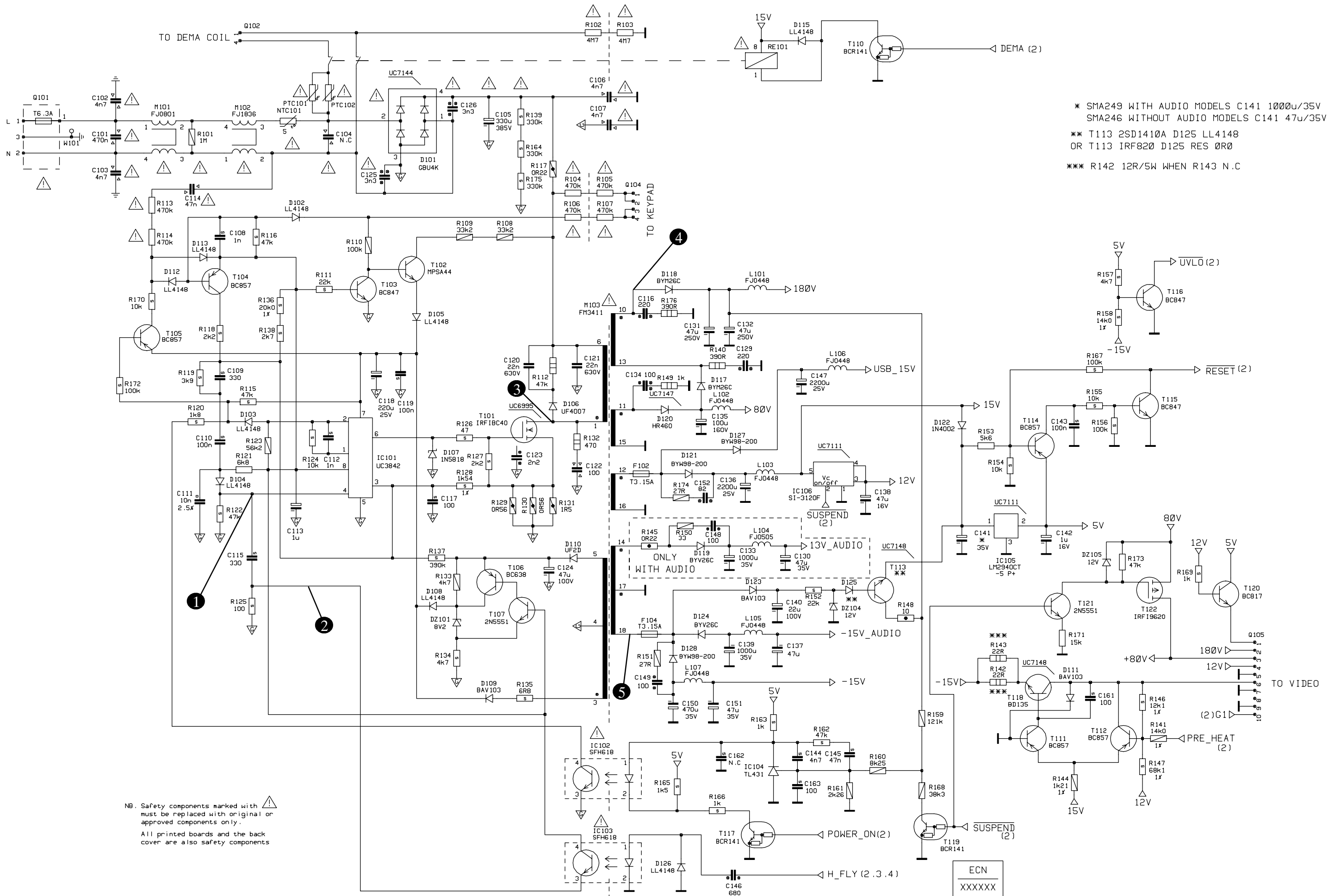
ECN
447R74


	SMA246	SMA249
R522	787R	562R
R523	787R	562R

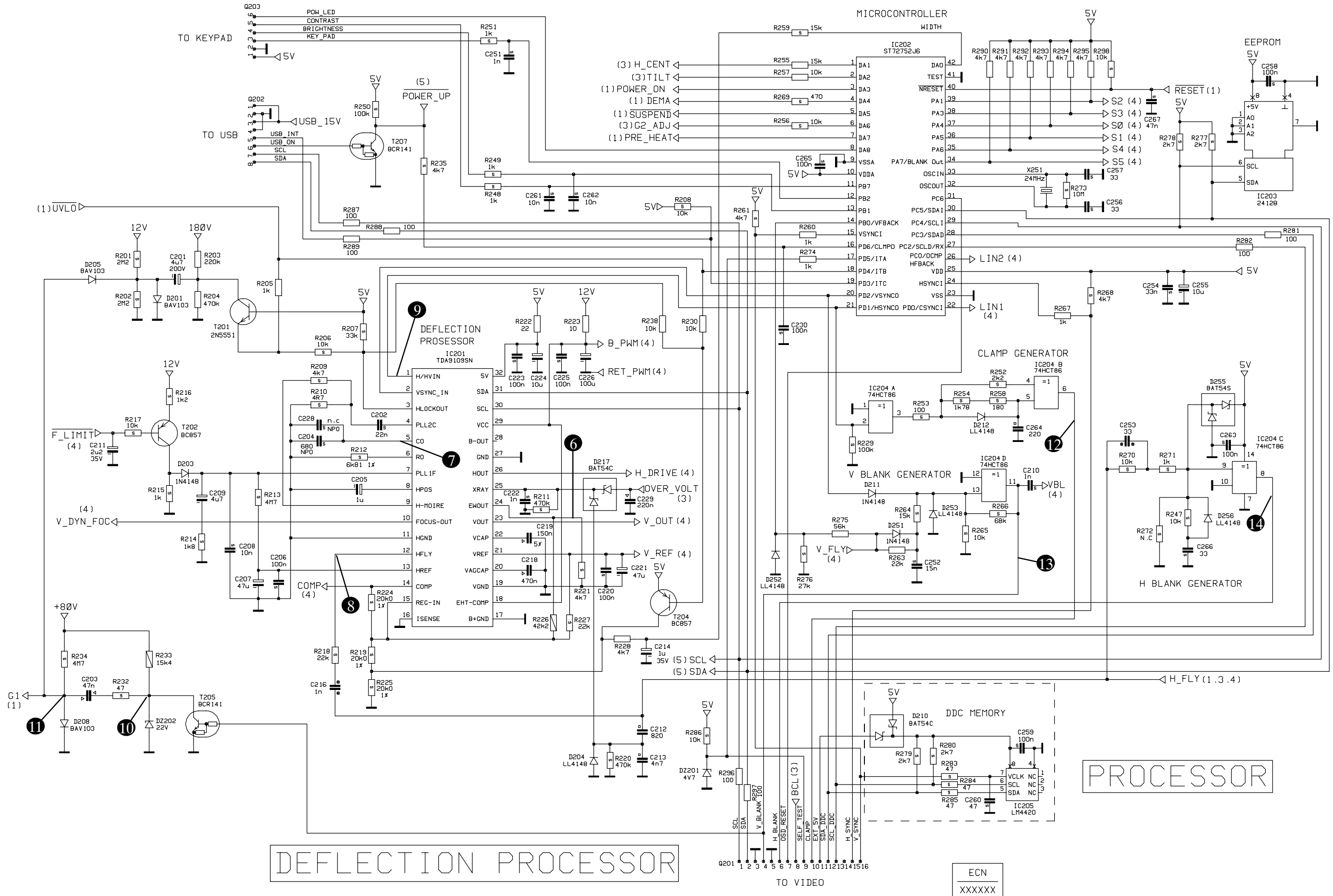


AUDIO

ECN
447R74



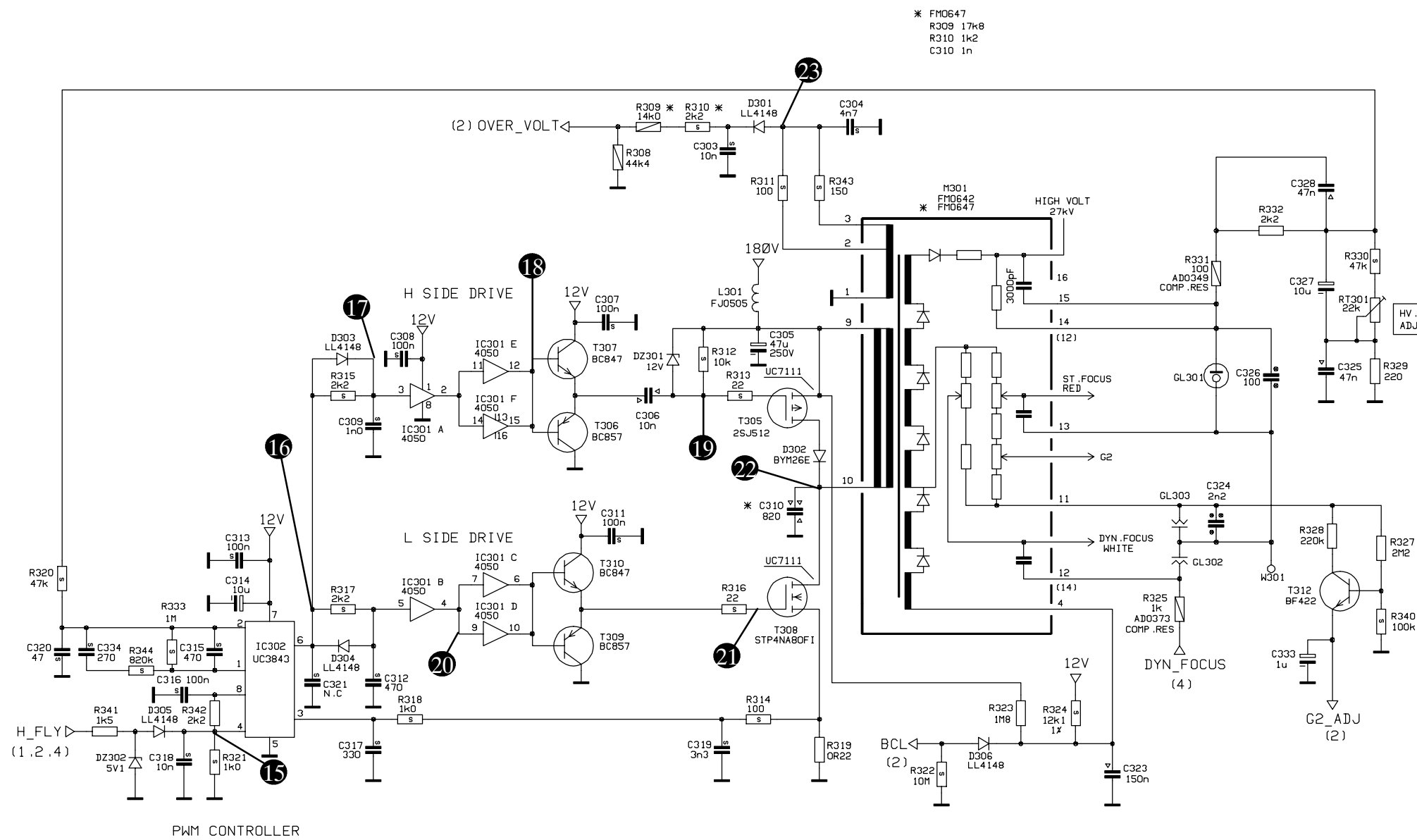
NB. Safety components marked with  must be replaced with original or approved components only.
 All printed boards and the back cover are also safety components



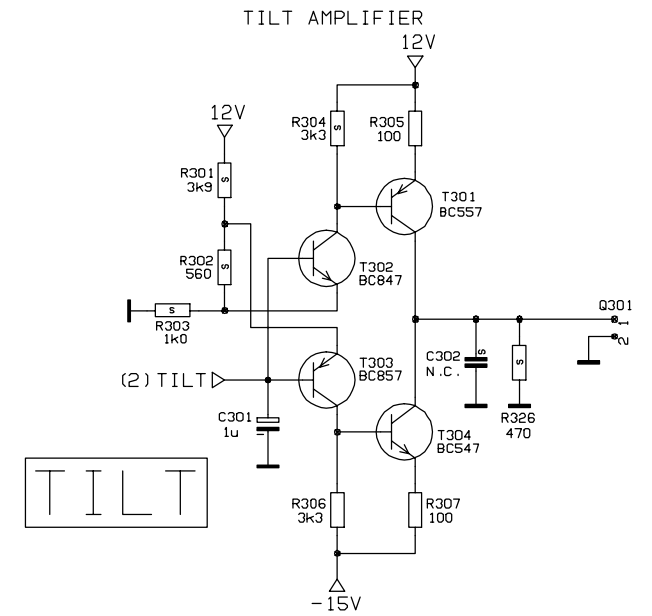
DEFLECTION PROCESSOR

PROCESSOR

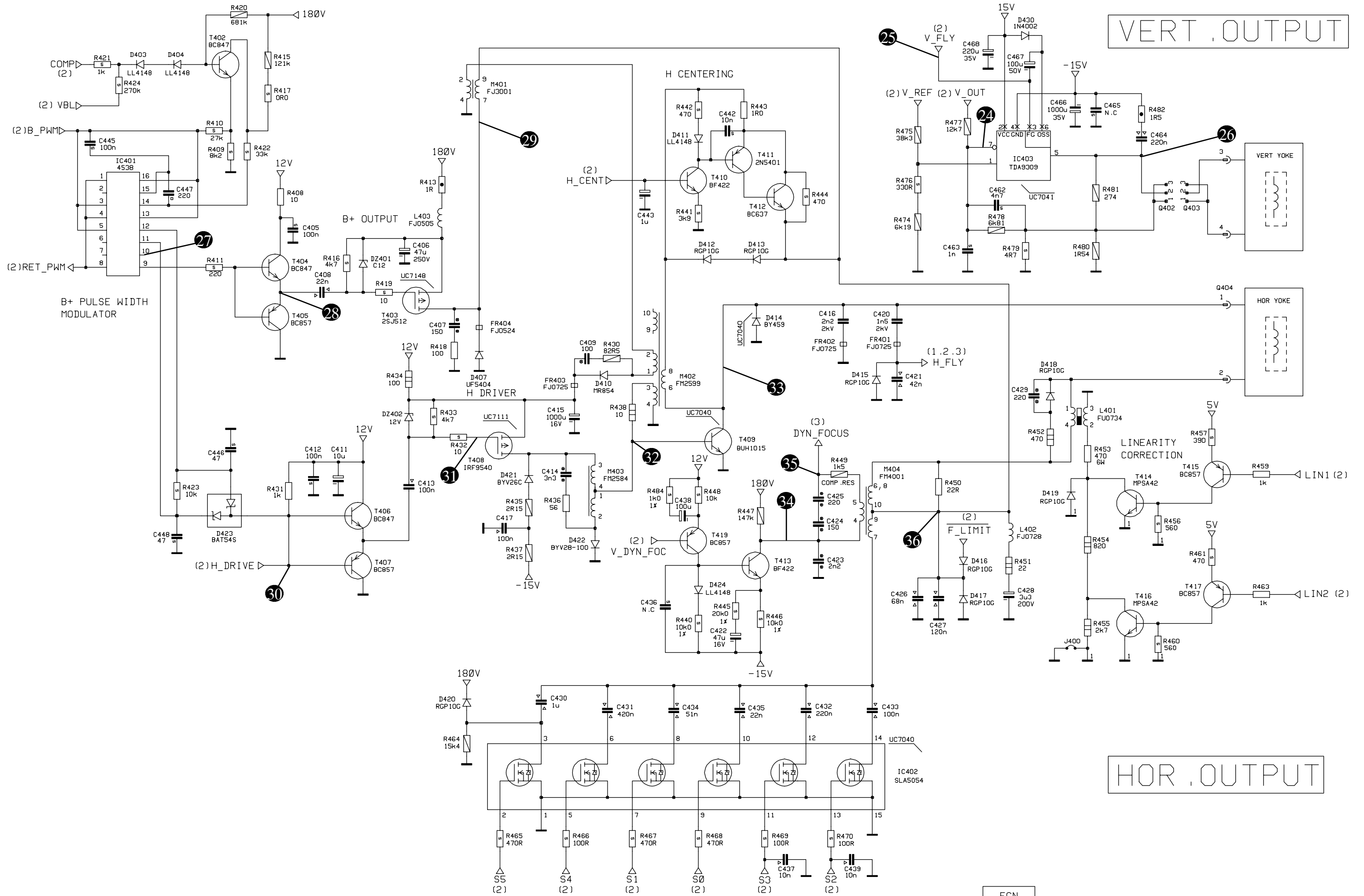
ECN
XXXXXX



HV GENERATOR



ECN
XXXXXX

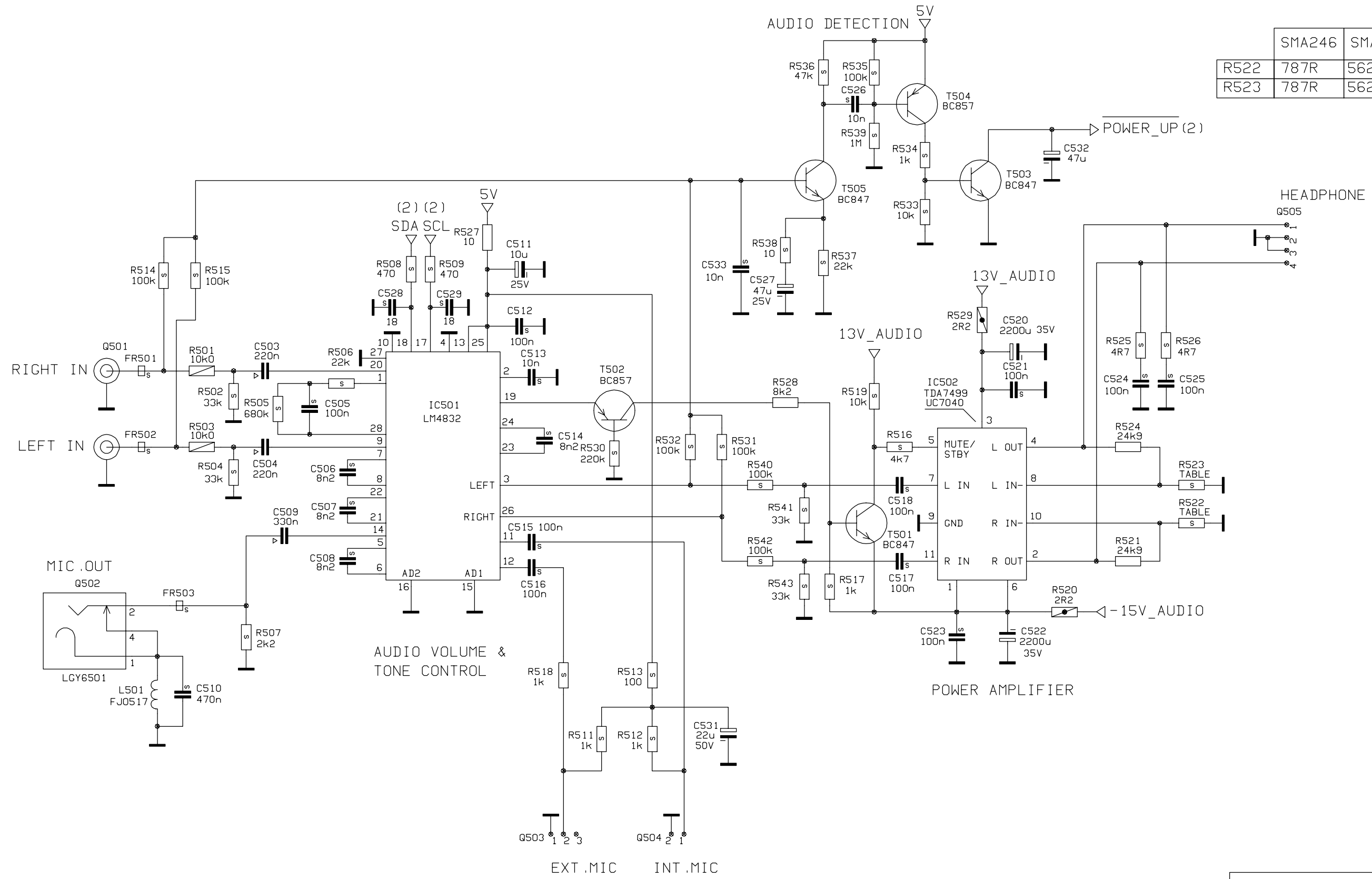


VERT. OUTPUT

HOR. OUTPUT

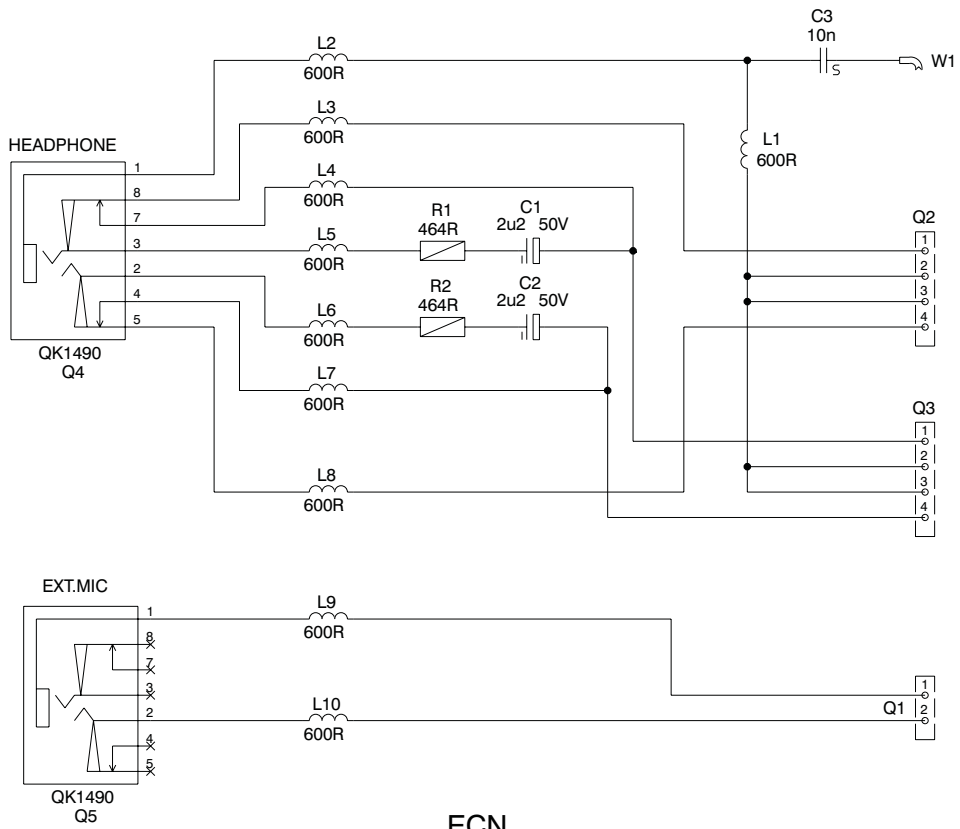
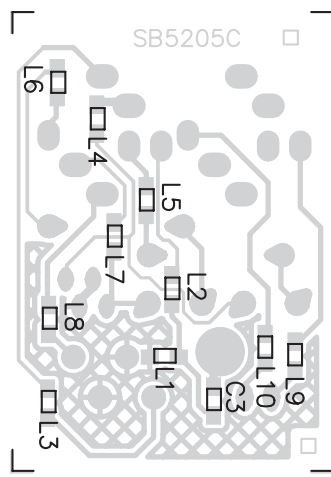
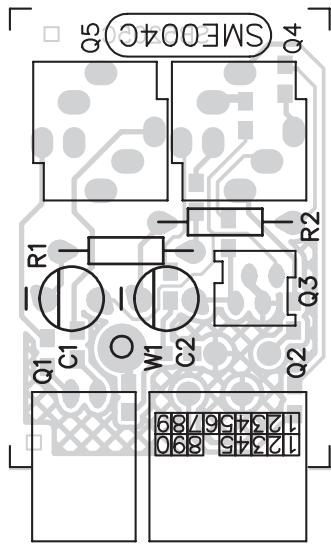
ECN
XXXXXX

	SMA246	SMA249
R522	787R	562R
R523	787R	562R



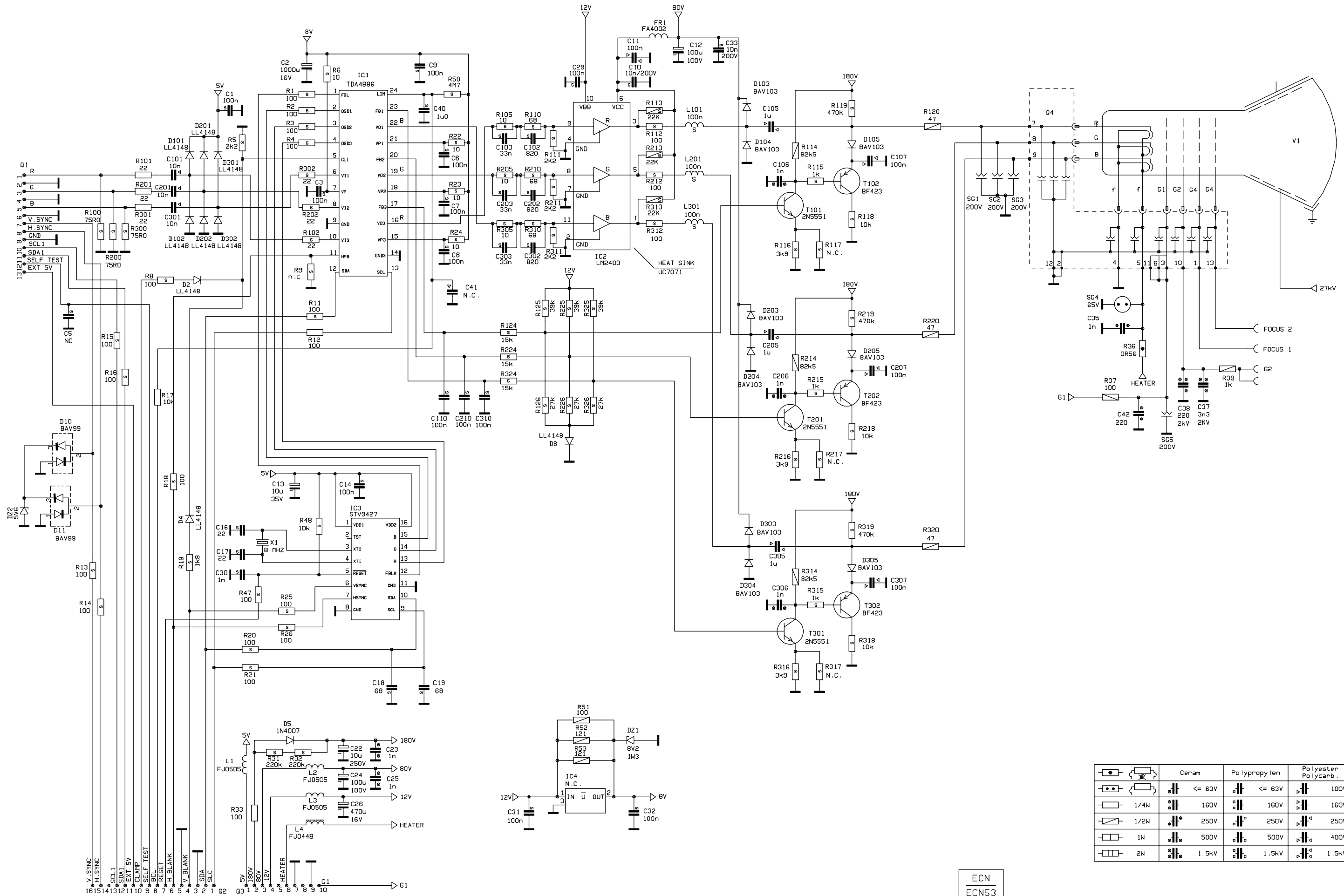
AUDIO

ECN
XXXXXX



ECN

-



ECN
ECN53

	Cer-am	Polypropy len	Polyester Polycarb.
	<= 63V	<= 63V	100V
	160V	160V	160V
	250V	250V	250V
	500V	500V	400V
	1.5kV	1.5kV	1.5kV

